

Manual Height-Adjustable Stands for **ActivPanel**

INTERACTIVE FLAT PANEL STAND OPTIONS

PRODUCT SPECIFICATIONS

Manual Height-Adjustable Wall Mount Specifications

Compatible with all sizes of ActivPanel 5, ActivPanel i-Series, ActivPanel 6, and ActivPanel Elements series



PHYSICAL SPECIFICATIONS

Product Dimensions	559 x 609 x 69 mm (22 x 24 x 3 in)
Packed Dimensions	630 x 740 x 95 mm (25 x 29 x 4 in)
Net Weight	21.6 kg (48 lbs)
Packed Weight	24 kg (53 lbs)
Travel Distance (Adjustable Height)	400 mm (15.7 in)

PACKED CONTENTS

What's in the Box	Box 1 of 1: Manual height-adjustable wall mount, mounting bar, wall frame cover, screw kit, side covers, installation guide
-------------------	---

ADDITIONAL REQUIREMENTS

Requires the Promethean VESA mount (AP-WALLMNT or AP-WALLMNT-2) that ships as standard with some panels.

Manual Height-Adjustable Stands for ActivPanel 2019 v7 5S 07/20 v1.2 EN

© 2020 Promethean Limited. All rights reserved. Promethean Ltd. is owner of a number of trademarks in several jurisdictions across the worldPage 1 including but not limited to Promethean, the Promethean logo, ActivPanel, Nickel, Cobalt, Titanium, Vellum, and ActivSoundBar. All third-party trademarks (including logos and icons) referenced by Promethean remain the property of their respective owners. Unless specifically identified as such, Promethean's use of third-party trademarks does not indicate any relationship, sponsorship, or endorsement between Promethean and the owners of these trademarks. Applicable Terms and Conditions for warranty and support available at PrometheanWorld.com/Warranty. All weights and dimensions are approximate. Product specifications are subject to change without notice. PrometheanWorld.com.

Wall Mount Accessories

The floor support accessory is required for schools that have thin walls or drywalls to ensure proper support for the ActivPanel.*

Manual Height-Adjustable Floor Mount Support Specifications

Compatible with all sizes of ActivPanel 5, ActivPanel i-Series, ActivPanel 6, and ActivPanel Elements series



PHYSICAL SPECIFICATIONS

Product Dimensions	650 x 2007 x 46 mm (26 x 79 x 2 in)
Packed Dimensions	145 x 1070 x 72 mm (6 x 42 x 3 in)
Net Weight	11 kg (24 lbs)
Packed Weight	11.4 kg (25 lbs)

PACKED CONTENTS

What's in the Box	Box 1 of 1: Frame assembly, screw kit, cover strips for floor support legs, installation guide
-------------------	--

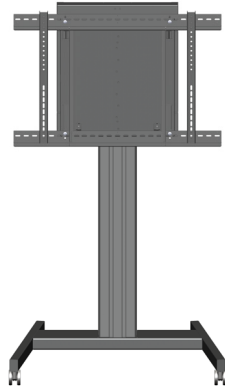
*Consult your local building guidelines prior to installation.

Manual Height-Adjustable Stands for ActivPanel 2019 v7 5S 07/20 v1.2 EN

© 2020 Promethean Limited. All rights reserved. Promethean Ltd. is owner of a number of trademarks in several jurisdictions across the world including but not limited to Promethean, the Promethean logo, ActivPanel, Nickel, Cobalt, Titanium, Vellum, and ActivSoundBar. All third-party trademarks (including logos and icons) referenced by Promethean remain the property of their respective owners. Unless specifically identified as such, Promethean's use of third-party trademarks does not indicate any relationship, sponsorship, or endorsement between Promethean and the owners of these trademarks. Applicable Terms and Conditions for warranty and support available at PrometheanWorld.com/Warranty. All weights and dimensions are approximate. Product specifications are subject to change without notice. PrometheanWorld.com.

Manual Height-Adjustable Mobile Stand Specifications

Compatible with all sizes of ActivPanel 5, ActivPanel i-Series, ActivPanel 6, and ActivPanel Elements series



PHYSICAL SPECIFICATIONS

Product Dimensions	1039 x 1800 x 731 mm (47 x 71 x 29 in)
Packed Dimensions	Box 1 of 4: 1100 x 770 x 175 mm (43.3 x 30.3 x 6.9 in) Box 2 of 4: 1215 x 250 x 180 mm (47.8 x 10 x 7.1 in) Box 3 of 4: 630 x 740 x 95 mm (29 x 25 x 3.7 in) Box 4 of 4: 635 x 545 x 95 mm (25 x 21.5 x 3.7 in)
Net Weight	58 kg (128 lbs)
Packed Weight	Box 1 of 4: 30.3 kg (67 lbs) Box 2 of 4: 16.6 kg (37 lbs) Box 3 of 4: 24 kg (53 lbs) Box 4 of 4: 4.6 kg (10 lbs)
Travel Distance (Adjustable Height)	400 mm (15.7 in)

PACKED CONTENTS

What's in the Box	Box 1 of 4: Mobile base, panel adapter Box 2 of 4: Fixed column, spacer, screw kit, user guide Box 3 of 4: Manual height-adjustable mount Box 4 of 4: Cover kit
-------------------	--

ADDITIONAL REQUIREMENTS

Requires the Promethean VESA mount (AP-WALLMNT or AP-WALLMNT-2) that ships as standard with some panels.

For customers interested in retrofitting their fixed-height mobile stand (APFSM) with the manual height adjustment, Box 3 and Box 4 are required (AP-ASW-70/90 and AP-ASM-COVER, respectively). Please consult compatibility matrix for additional information.

OPTIONAL ACCESSORIES

Push/pull handles, laptop tray, camera mount

WARRANTY

Five-Year Warranty (upgrade options available and vary by region). For more information, visit PrometheanWorld.com/ActivCare.

INSTALLATION

The installation of this product should be completed by a qualified installer. Use of components not supplied by Promethean or not meeting minimum specifications may impact performance, safety and warranty. For more information, visit Support.PrometheanWorld.com.

COMPLIANCE & CERTIFICATION

Regulatory Certification UL Recognized 62368-1, CE, CB

SUPPORT

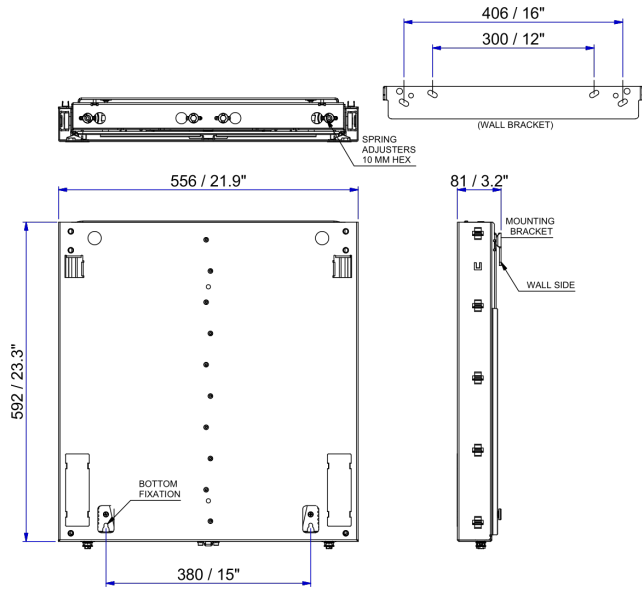
For all Promethean products, visit Support.PrometheanWorld.com.

Manual Height-Adjustable Stands for ActivPanel 2019 v7 5S 07/20 v1.2 EN

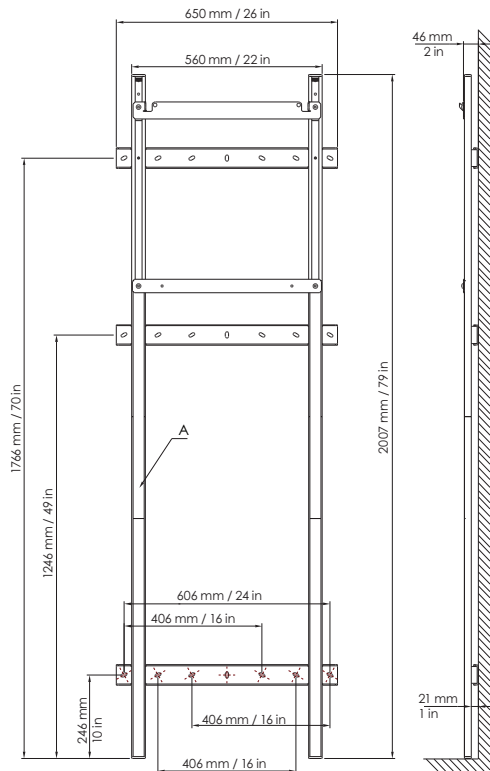
© 2020 Promethean Limited. All rights reserved. Promethean Ltd. is owner of a number of trademarks in several jurisdictions across the world including but not limited to Promethean, the Promethean logo, ActivPanel, Nickel, Cobalt, Titanium, Vellum, and ActivSoundBar. All third-party trademarks (including logos and icons) referenced by Promethean remain the property of their respective owners. Unless specifically identified as such, Promethean's use of third-party trademarks does not indicate any relationship, sponsorship, or endorsement between Promethean and the owners of these trademarks. Applicable Terms and Conditions for warranty and support available at PrometheanWorld.com/Warranty. All weights and dimensions are approximate. Product specifications are subject to change without notice. PrometheanWorld.com.

TECHNICAL DRAWINGS

Manual Height-Adjustable Wall Mount



Manual Height-Adjustable Wall Mount Floor Support

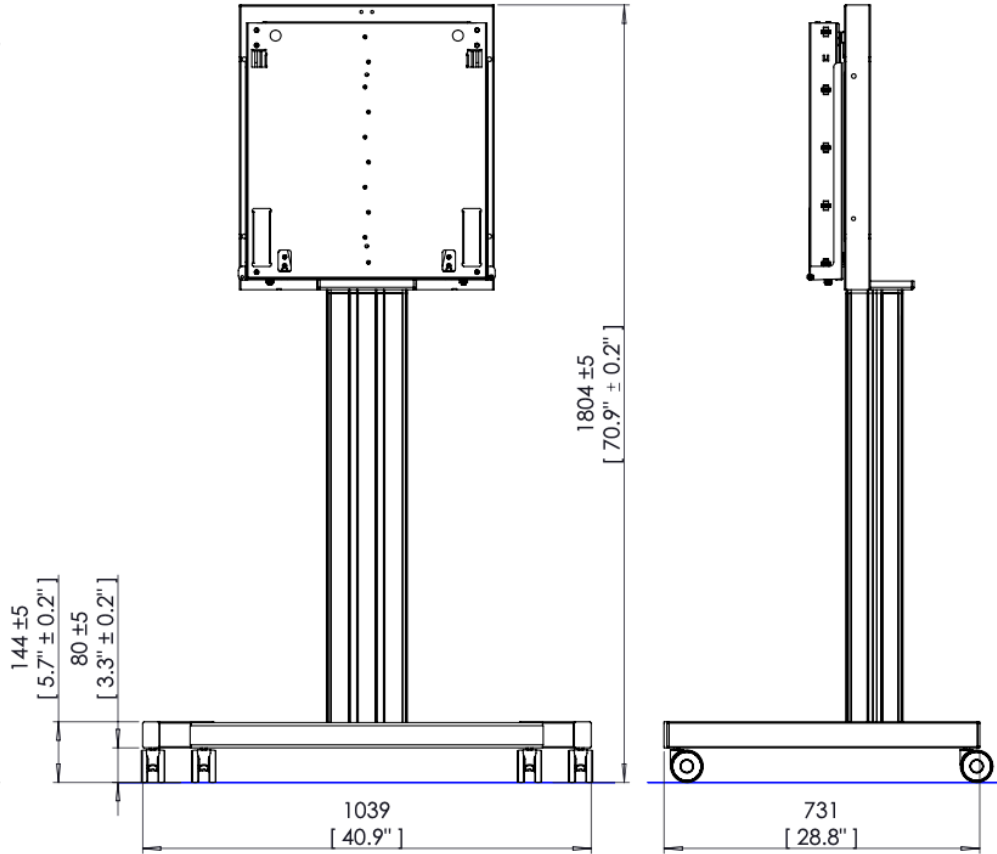


Manual Height-Adjustable Stands for ActivPanel 2019 v7 5S 07/20 v1.2 EN

© 2020 Promethean Limited. All rights reserved. Promethean Ltd. is owner of a number of trademarks in several jurisdictions across the world including but not limited to Promethean, the Promethean logo, ActivPanel, Nickel, Cobalt, Titanium, Vellum, and ActivSoundBar. All third-party trademarks (including logos and icons) referenced by Promethean remain the property of their respective owners. Unless specifically identified as such, Promethean's use of third-party trademarks does not indicate any relationship, sponsorship, or endorsement between Promethean and the owners of these trademarks. Applicable Terms and Conditions for warranty and support available at PrometheanWorld.com/Warranty. All weights and dimensions are approximate. Product specifications are subject to change without notice. PrometheanWorld.com.

TECHNICAL DRAWINGS

Manual Height-Adjustable Mobile Stand



Manual Height-Adjustable Stands for ActivPanel 2019 v7 SS 07/20 v1.2 EN

© 2020 Promethean Limited. All rights reserved. Promethean Ltd. is owner of a number of trademarks in several jurisdictions across the world including but not limited to Promethean, the Promethean logo, ActivPanel, Nickel, Cobalt, Titanium, Vellum, and ActivSoundBar. All third-party trademarks (including logos and icons) referenced by Promethean remain the property of their respective owners. Unless specifically identified as such, Promethean's use of third-party trademarks does not indicate any relationship, sponsorship, or endorsement between Promethean and the owners of these trademarks. Applicable Terms and Conditions for warranty and support available at PrometheanWorld.com/Warranty. All weights and dimensions are approximate. Product specifications are subject to change without notice. PrometheanWorld.com.