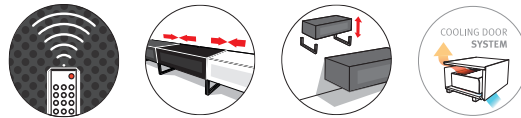




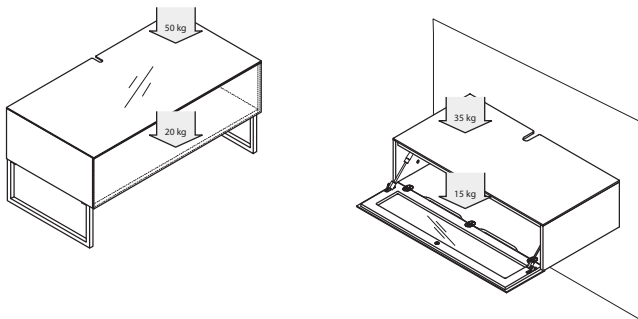
## Khalm

**Remarkably sleek, the Khalm can be adjusted according to your needs !**

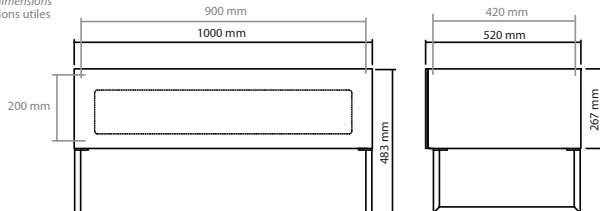
Sleek and refined, this piece features a compartment with a swing door that allows infrared signals to pass through. With its adjustable feet, the Khalm can be set against a wall at the desired height. This piece is also practical: the rear section of the Khalm has been designed to allow wiring to pass both through the back and the bottom of the piece. Choose 1, 2, or 3 compartments in your choice of 3 available colors and personalize your home's furniture arrangement: so your home matches you!



### SPECIFICATIONS



Usable dimensions  
Dimensions utiles



### DESIGN

**Finishes:** *Black*  
*White*  
*Grey*

**Structure:** Laquered MDF and chrome steel stand

### USABLE DIMENSIONS

**Overall dimensions (W x H x D):** 1000x483x 520 mm

**Upper shelf (W x D):** 1000x520 mm

**Internal shelves (W x D):** 964x441 mm

### PACKAGING

Delivered disassembled with screws kit, mounting instructions and tools

**Quantity/box:** 1 – **Type:** Brown cardboard

**Dimensions (W x H x D):** 1110 x 605 x 145mm

**Net Weight:** 26 kg

**Gross Weight:** 28,8 kg

**SKU:** NORKHA100BBKP (black)  
NORKHA100BWTP (grey)  
NORKHA100BGRP (white)

**GenCode:** 3760108802520 (*Khalm version B Black/Black*)  
3760108802513 (*Khalm version B White/White*)  
3760108808287 (*Khalm version B Grey/Grey*)

