



MAJOR PRO-C is a range of motorized screens suitable to cover dimensions from 500 cm. up to 700 cm. of width. These screens are mainly used in large environments like meeting rooms, universities, small theatres, hotels. Very reliable screens are supplied with a white aluminium cabinet suitable to fit different aesthetic situations.

Available in 4:3, 16:9 and 16:10 ratios or customized sizes.



Truss mounting brackets
(optional - for details see p. 65)



False ceiling trim kit
(optional - for details see p. 49)

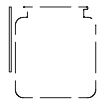


Ceiling mounting brackets

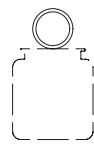


n.1 On/off switch

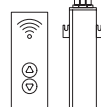
INCLUDED



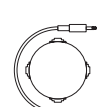
Wall mounting brackets



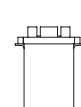
Truss mounting brackets



Kit RF Remote control with external receiver



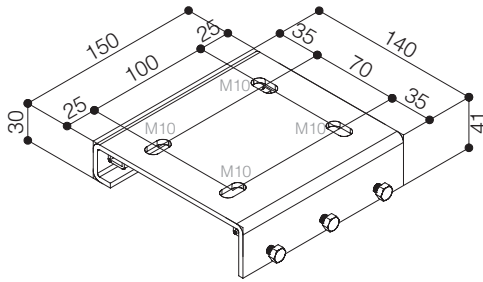
Interface switch 12 volt



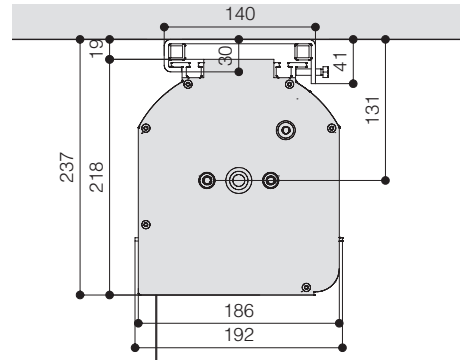
Low voltage contact interface

OPTIONAL pag 62-63

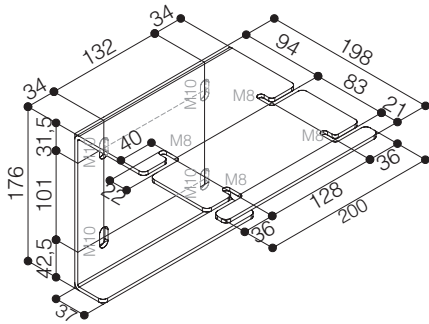
CEILING MOUNTING BRACKET



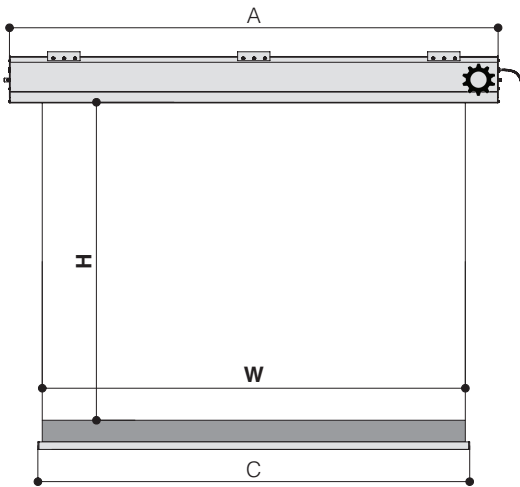
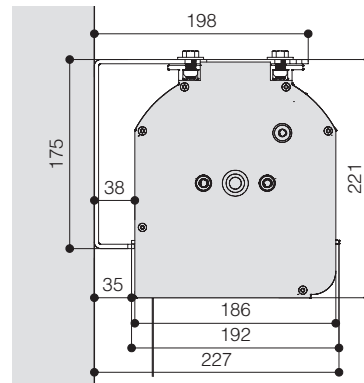
CEILING MOUNTING



WALL MOUNTING BRACKET (optional)



WALL MOUNTING



TECHNICAL SPECIFICATIONS

- Silent motor system provides a smooth and quiet operation

- Power: **40 Nm**
- Speed: **17 rpm**
- Power supply: **230V / 50 Hz**
- Consumption: **322 W**
- Certification: **IMQ**

AVERAGE TIME OF ROLLING UP/DOWN	
H (cm)	Sec.
375	46
450	48
525	56

- Strong steel and aluminium construction
- Aluminium housing with multiple fixing points, using sliding brackets for a variety of installation options.
- Black dowel bar: height 35 mm. - depth 20 mm.
- Black bottom border of 10 cm. (standard)
- Housing painted with white epoxy powders (RAL 9010)
- Ceiling mounting brackets
 - n. 3 for Major Pro-C 500 cm. and 600 cm. of width
 - n. 4 for Major Pro-C 700 cm. of width
- On/Off switcher included
- Power cable located at **right** side of the screen housing seen from the front
- Flame retardant projection surfaces - classification M1 and B1
- Side black borders of 5 cm. (optional)
- Wall mounting brackets (optional)
- Screen housing available in different colours (optional)

The measures in the drawings are expressed in millimetres.

DIMENSIONS measures in cm

4:3 Ratio Viewing area (WxH)	16:9 Ratio Viewing area (WxH)	16:10 Ratio Viewing area (WxH)	Overall dimensions A - C	Approx. net weight (Kg)
500 x 375	500 x 281	500 x 313	520 - 505	89
600 x 450	600 x 337	600 x 375	620 - 605	106
700 x 525	700 x 394	700 x 437	720 - 705	124

PROJECTION CLOTHS

Front projection surfaces	Gain	Rear projection surfaces <i>**no black borders**</i>	Gain
White	1.2	Rear Plus	1.1
Matte White	1.2	Front Rear	0.9
Microholes	1.0		

Warranty: 5 years on the motor - 24 months on the other components

