

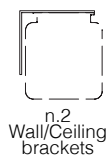
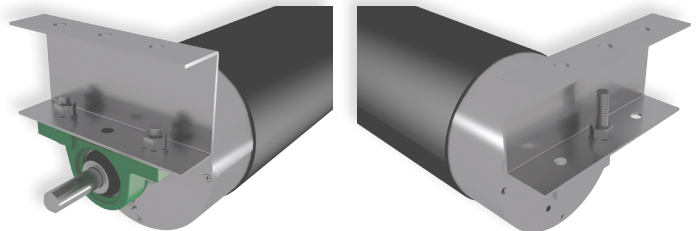


The **MAJOR PRO** model has been studied to be installed in pretty large rooms like concert halls, cinemas, auditoriums and conference rooms. Major Pro assures great success in projections thanks to its high quality standard.

Available in 4:3, 16:9 and 16:10 ratios or customized sizes.

**MOUNTING BRACKET:
SHAFT SIDE**

**MOUNTING BRACKET:
MOTOR SIDE**



n.2
Wall/Ceiling
brackets



n.1
On/off
switcher



Kit RF Remote
control with
external
receiver



Interface
switch 12 volt

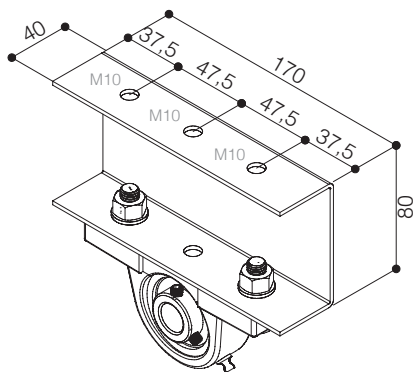


Low voltage
contact
interface

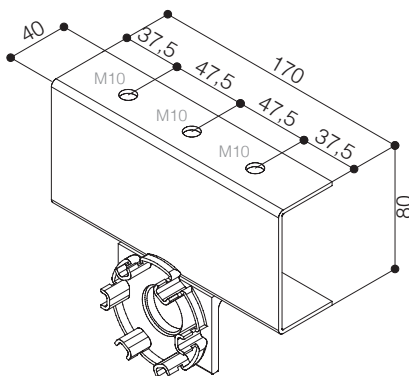
INCLUDED

OPTIONAL pag 62-63

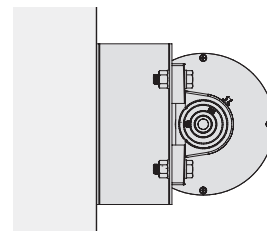
**MOUNTING BRACKET:
SHAFT SIDE (LEFT)**



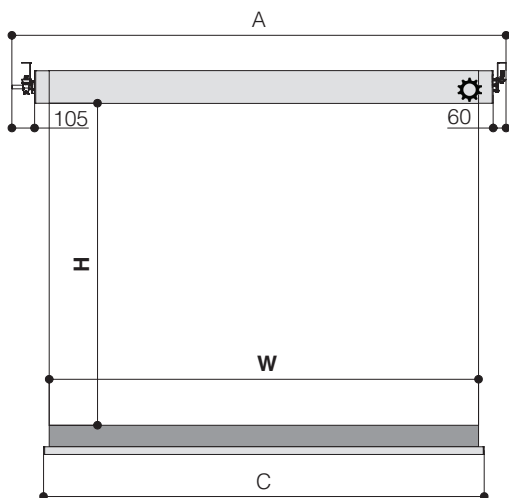
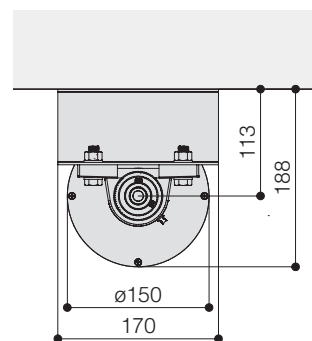
**MOUNTING BRACKET:
MOTOR SIDE (RIGHT)**



WALL MOUNTING



CEILING MOUNTING



TECHNICAL SPECIFICATIONS

- Silent motor system provides a smooth and quiet operation

- Potenza: **40 Nm**
- Velocità: **17 rpm**
- Input: **230V / 50 Hz**
- Consumo: **322 W**
- Certificazione: **IMQ**

AVERAGE TIME OF ROLLING UP/DOWN	
H (cm)	Sec.
375	46
450	48
525	56

- Strong steel and aluminium construction
- Black dowel bar: height 35 mm. - depth 20 mm.
- Black bottom border of 10 cm. (standard)
- Two mounting brackets for ceiling or for wall
- On/Off switcher included
- Power cable located at **right** side of the screen, seen from the front
- Flame retardant projection surfaces - classification M1 and B1
- Side black borders of 5 cm. (*optional*)

The measures in the drawings are expressed in millimetres.

DIMENSIONS measures in cm

4:3 Ratio Viewing area (WxH)	16:9 Ratio Viewing area (WxH)	16:10 Ratio Viewing area (WxH)	Overall dimensions A - C	Approx. net weight (Kg)
500 x 375	500 x 281	500 x 313	530 - 505	52
600 x 450	600 x 337	600 x 375	630 - 605	63
700 x 525	700 x 394	700 x 437	730 - 705	73

PROJECTION CLOTHS

Front projection surfaces	Gain	Rear projection surfaces <i>**no black borders**</i>	Gain
White	1.2	Rear Plus	1.1
Matte White	1.2	Front Rear	0.9
Microholes	1.0		

Warranty: 5 years on the motor - 24 months on the other components

