



**MAJOR** screen has the same features of the Compact model but guarantees high quality images on bigger dimensions.

This screen is a very good solution for projections to a large audience.

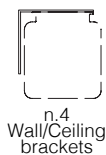
It can be equipped with different types of fabric according to customer's needs.

*Available in 4:3 and 1:1 ratios or customized sizes.*



**False ceiling trim kit**  
(optional - for details see p. 48)

**Major with black borders** (optional)



n.4  
Wall/Ceiling  
brackets

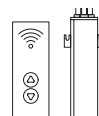


n.1  
On/off  
switcher

**INCLUDED**



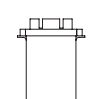
RF Remote  
control with  
receiver  
built-in motor



Kit RF Remote  
control with  
external  
receiver



Interface  
switch 12 volt



Low voltage  
contact  
interface



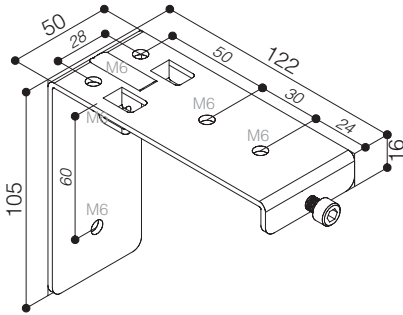
Faster and  
quiet motor

**OPTIONAL** pag 62-63

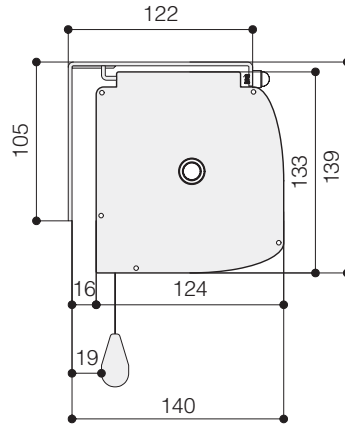
**DROP OF  
PROJECTON  
CLOTH**  
STANDARD

**FRONT DROP OF  
PROJECTON  
CLOTH**  
*(optional)*

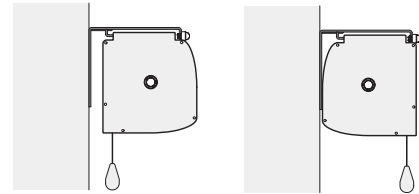
### WALL-CEILING BRACKET



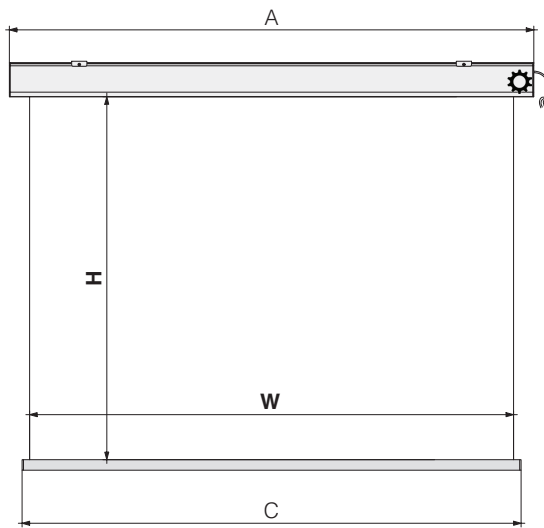
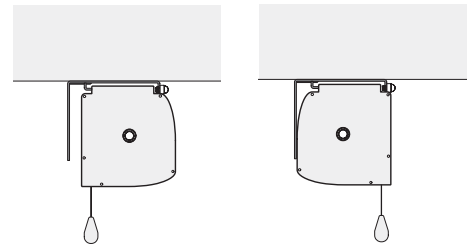
### HOUSING DIMENSIONS



### WALL MOUNTING



### CEILING MOUNTING



### TECHNICAL SPECIFICATIONS

- Silent motor system provides a smooth and quiet operation
  - Power: **10 Nm**
  - Speed: **17 rpm**
  - Power supply: **230V / 50 Hz**
  - Consumption: **156 W**
  - Certification: **IMQ**
- Totally manufactured from aluminium
- Smart design and easy to install
- Housing dimensions: 124x133 mm. (DxH)
- Housing painted with white epoxy powders (RAL 9010)
- White dowel bar: height 35 mm. - depth 20 mm.
- Four universal mounting brackets either for ceiling or for wall
- On/off switcher included
- Power cable located at **right** side of the screen housing seen from the front
- Flame - retardant projection surfaces - classification M1 and B1
- Side black borders of 5 cm. and black dowel bar height 35 mm. - depth 20 mm. *(optional)*
- Screen housing available in different colours *(optional)*

The measures in the drawings are expressed in millimetres.

### DIMENSIONS measures in cm

1:1 Ratio Viewing area (WxH)	4:3 Ratio Viewing area (WxH)	Overall dimensions A - C	Approx. net weight (Kg)
300 x 300	-	311 - 304	25
350 x 350	350 x 265	361 - 354	28
400 x 400	400 x 300	411 - 404	33
-	450 x 340	461 - 454	37

### PROJECTION CLOTHS

Front projection surfaces	Gain	Rear projection surfaces <i>**no black borders**</i>	Gain
White	1.2	Rear Plus	1.1
Matte White	1.2	Front Rear	0.9
Microperforated	1.1		

**Warranty:** 5 years on the motor - 24 months on the other components

