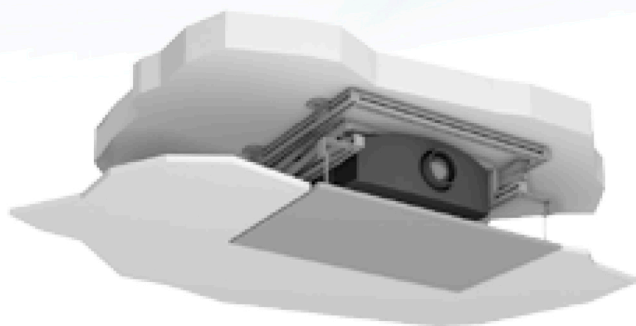


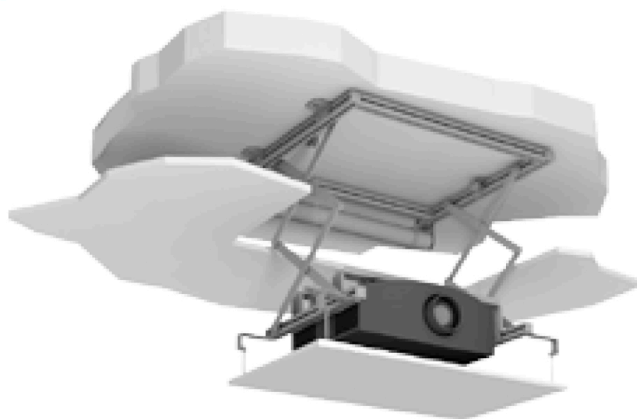
The Projector **Lift HC40** is studied in order to support **large and heavy Professional and Home Cinema video projectors up to 25 Kg.** of weight. The lift has been developed to be **installed inside a very narrow false ceilings of only 14 cm.** granting the best aesthetic and practical solution in hiding the projector, lift and cables.

The **HC40** is supplied with a powered and extremely silent motor that allows a descent from a **minimum of 14 cm to a maximum of 54 cm.**

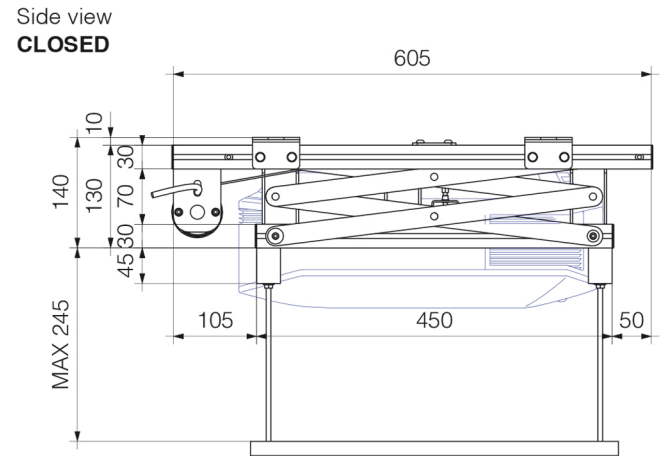
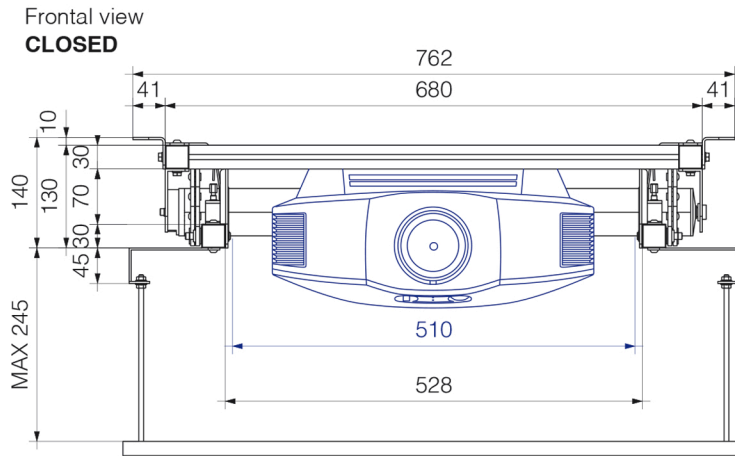
Moreover it is supplied with extendable side brackets in order to allow an easy fixing of the panel of your false ceiling by adjustable threaded bars.



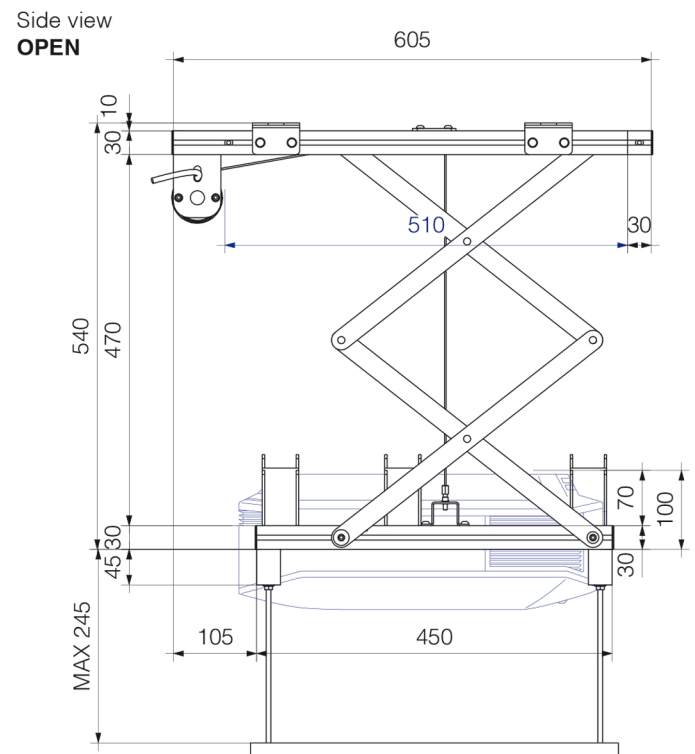
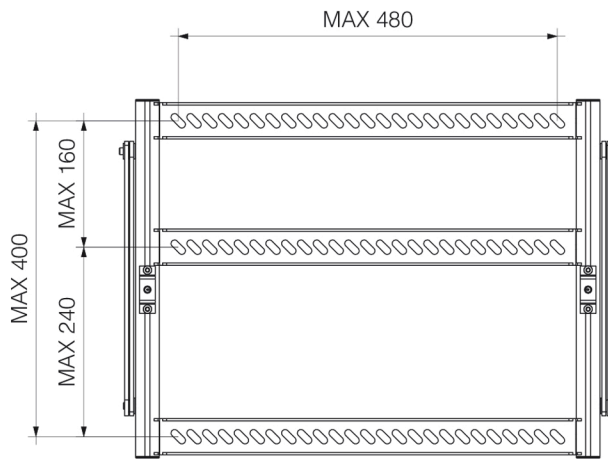
The lift **HC40** is equipped with **SAFETY SCREWS** which prevents the lift to extent further to the preset end stop.



* **Ceiling cover plate is not included.**



Upper view
**MAXIMUM SIZE
FIXING POINTS
PROJECTOR**



The measures in the drawings are expressed in millimetres.

PROJECTOR LIFT HC40

Warranty
24 MONTHS

POWER SUPPLY	220-230V - 50HZ
MAXIMUM CONSUMPTION	184 W
TORQUE	20 Nm
MOTOR SPEED	17 Rpm
MINIMUM DIMENSIONS LIFT CLOSED	680x605x140 mm (WxDxH)
DIMENSIONS LIFT OPENED	680x605x540 mm (WxDxH)
MAXIMUM SIZE FIXING POINTS PROJECTOR	480x400 mm (WxD)
MAXIMUM LOAD	25 Kg
MAXIMUM SIZE OF PROJECTOR	510x510 mm (WxD)
NET WEIGHT OF THE PROJECTOR LIFT	11 Kg
CABLE GATHERING SYSTEM INCLUDED	